

NIMMO EKO LED FLOODLIGHT RANGE

REPLACING 50W TO 500W FLOOD LIGHTS



APPLICATIONS

Waterproof LED Flood Light in 10W-200W is a direct replacement for the energy consuming 50W-500W Metal Halide Flood Lamps. Zero radiation or interference, this high powered lamp is perfect for commercial applications such as sports grounds and stadiums.

FEATURES & BENEFITS

- CoolTech-Engineered for lower operating temperatures
- IP65 & IK08 for tough environments
- Long 1.5m flex cable for easy installation
- High quality internal driver

	10W	30W	50W	80W	100W	150W	200W
--	-----	-----	-----	-----	------	------	------

GENERAL

Model Number	NOA-EKO10	NOA-EKO30	NOA-EKO50	NOA-EKO80	NOA-EKO100	NOA-EKO150	NOA-EKO200
Dimensions (mm)	166x107x32	226x167x40	310.5x220x50	354.3x245x55	402.3x295x60	430x330x60	470x360x60
Weight	0.5KG	0.9KG	2.9KG	5.2KG	5.8KG	7.3KG	8.4KG
Sail Area (Maximum)	0.0192m ²	0.0378m ²	0.0683m ²	0.0868m ²	0.1185m ²	0.1419m ²	0.1692m ²
Category	Floodlights						
Lifetime	Reported: >54,000 hrs			Calculated: Up to 105,585 hrs			
Ingress Protection	IP65						
Impact Protection	IK08						
Warranty	5 years						
Cable	1.5m Cable						
Operating Temperature	-20°C ~ 45°C						

OPTICAL

Output (Lm)	1000 lm	3300 lm	5500 lm	9500 lm	12000 lm	18000 lm	24000 lm
LED Type	LUMILEDS L1305070003000W21						
NO. of LED Chips	10	30	50	80	100	150	210
LED Colour Temperature	3000K/ 5000K						
Full Beam Angle	120°						
CRI	>80						

ELECTRICAL INPUT

Driver Type	Internal KINGSUM Driver	Internal MEANWELL Driver					
Voltage	100-240 VAC, 50/60 Hz						
Power Factor	0.9						
Dimming	Non-Dimmable						

ELECTRICAL OUTPUT

Voltage	30Vdc						42Vdc
Current (Max.)	0.30A	0.90A	1.5A	2.4A	3.0A	4.4A	4.2A

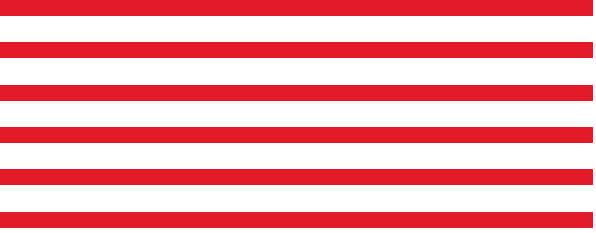
COMPLIANCE



AS/NZS 60598.1
AS/NZS 60598.2.1



FLOODLIGHTS

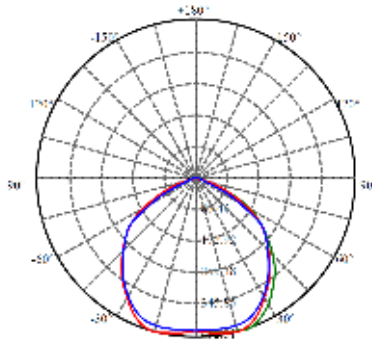


NIMMO EKO IP65 LED FLOODLIGHT RANGE

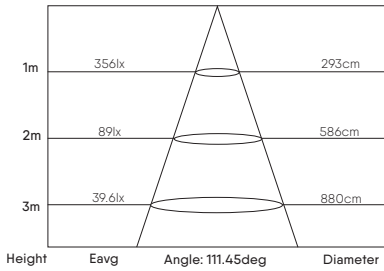
LUMINOUS INTENSITY DISTRIBUTION FOR FLOODLIGHT

STANDARD LENS

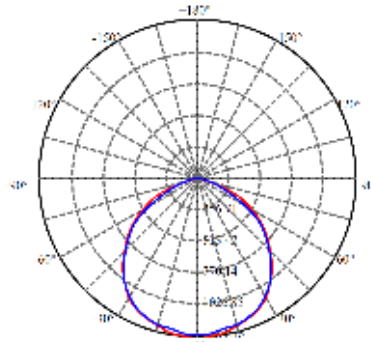
10W/98LM/W



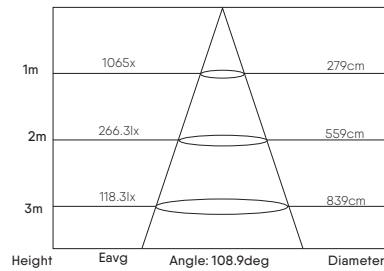
AVERAGE BEAM ANGLE(50%)= 110.3°
Total Flux 1106.78 lm



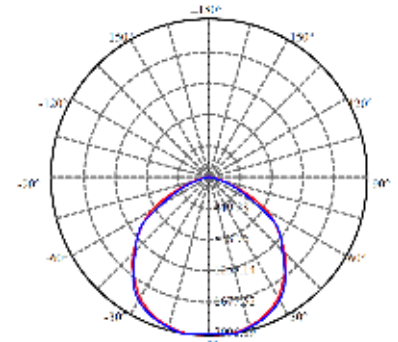
30W/101LM/W



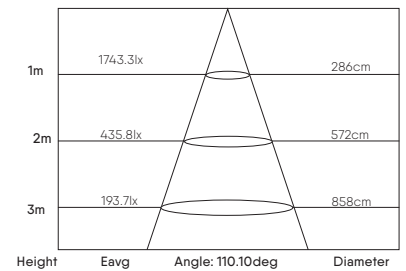
AVERAGE BEAM ANGLE(50%)= 108.9°
Total Flux 3273 lm



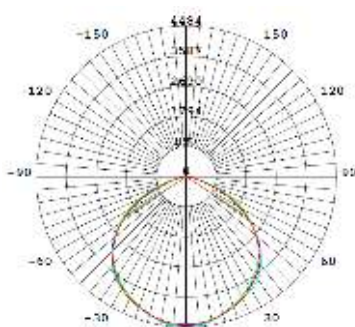
50W/108LM/W



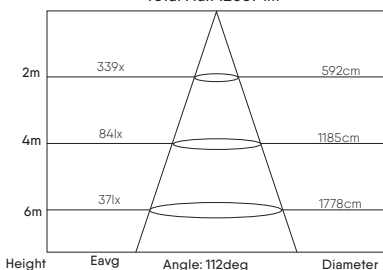
AVERAGE BEAM ANGLE(50%)= 110.1°
Total Flux 5575lm



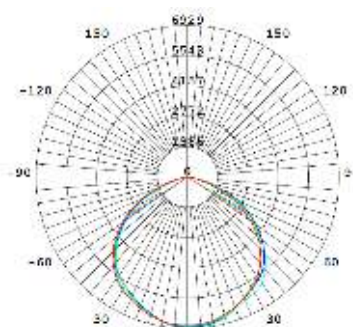
100W/120LM/W



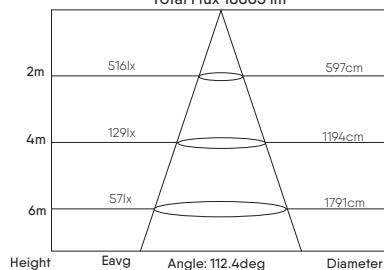
AVERAGE BEAM ANGLE(50%)= 113.6 DEG
Total Flux 12037 lm



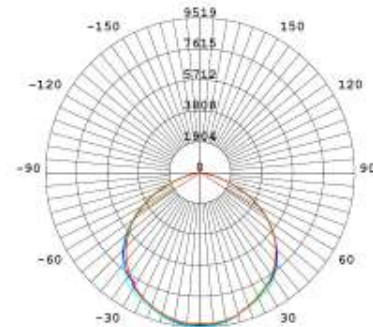
150W/123LM/W



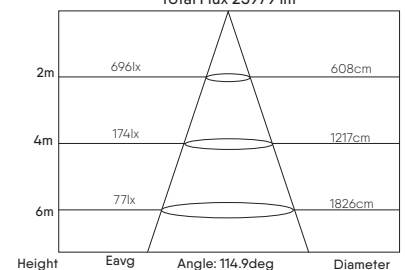
AVERAGE BEAM ANGLE(50%)= 113.9 DEG
Total Flux 18665 lm



200W/128LM/W



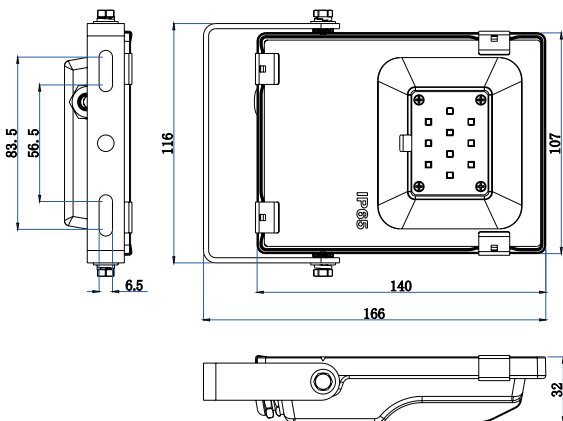
AVERAGE BEAM ANGLE(50%)= 114.9 DEG
Total Flux 25979 lm



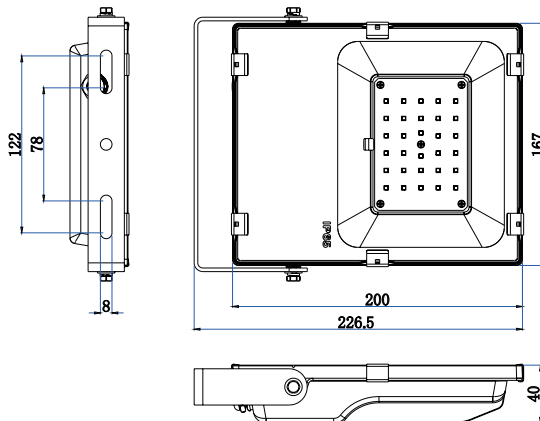
WITH PRISMATIC DIFFUSER

DIMENSIONAL DRAWINGS

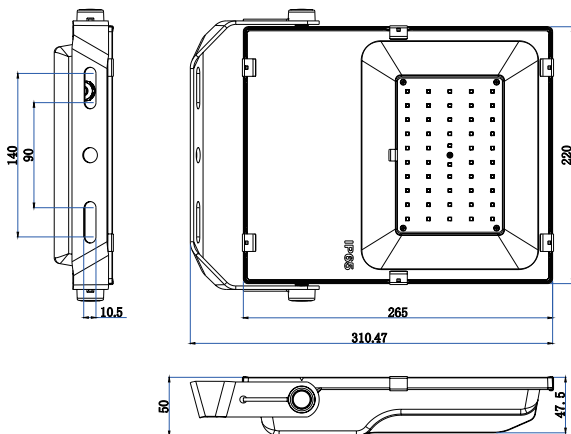
NOA-EKO10



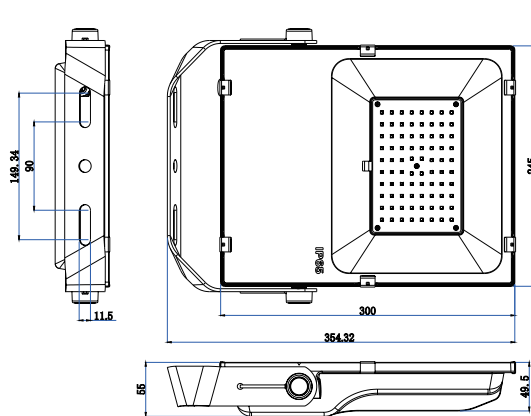
NOA-EKO30



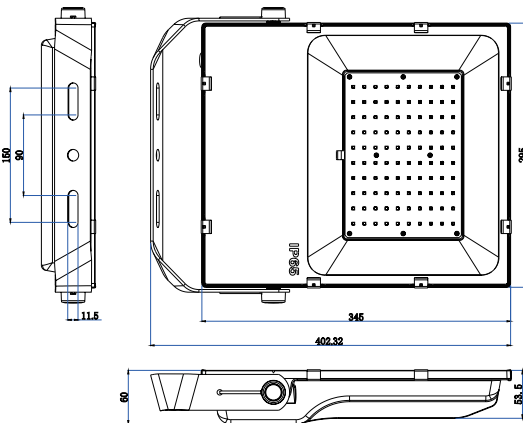
NOA-EKO50



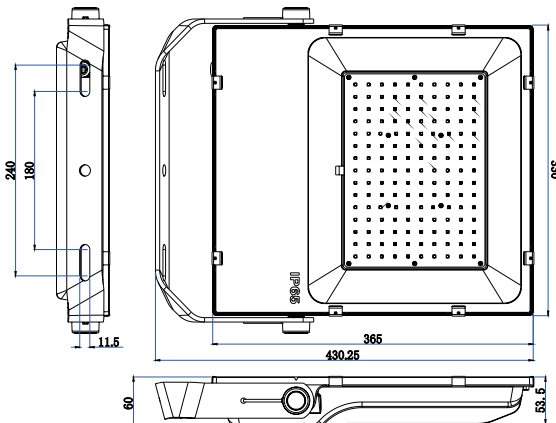
NOA-EKO80



NOA-EKO100



NOA-EKO150



NOA-EKO200

